



Plant Legend

Symbol	Common	Botanical
	Existing Oak tree	Quercus spp.
	Forest elder	Nuxia floribunda
	Water Berry	Syzygium cordatum
	Water pear	Syzygium guineense
	White stinkwood	Celtis africana

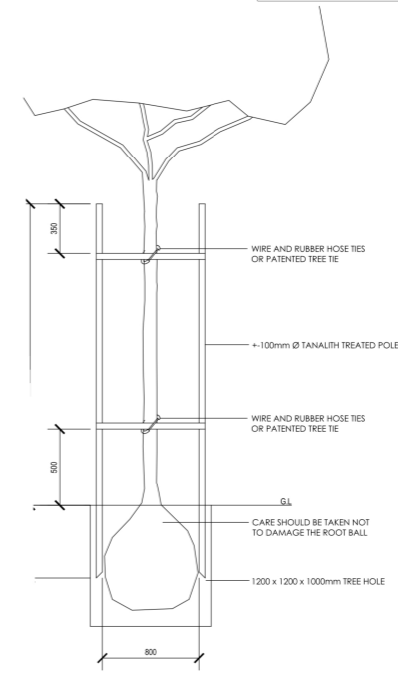
Pavement Plantings: Tulbaghia violacea, ELEGIA tectorum, Diets grandiflora

Public Open Spaces: Mixed Plantings of T. violacea, E. tectorum, D. grandiflora, Agapanthus spp. Tecomaria capensis, Pelargonium spp, Kniphofia precox, Gazania uniflora, Osteopermum spp.
Lawns: Buffalo grass (Stenotaphrum secundatum) or Cape quick grass (Cynodon dactylon)

Pavement groundcover: 19-100mm blue stone aggregate

Retention Pond
 Cynodon dactylon, Wachendorfia thyrsiflora
 Juncus kraussii

- All Trees to be minimum 100liter bag size
- No trees to be planted inside indicated Sewer & Stormwater servitudes
- Trees to be supported as per attached staking diagram
- The Developer will be responsible for the establishment & Maintenance of all landscaped areas for a period of 12 calendar months
- Vegetation management for retention pond:
 Lawn along embankments & bottom to be kept low & mowed at least once every two weeks. Grass cuttings to be removed from site.
 Clump forming shrubs to be split & excess material removed to ensure water flow is not impeded. Vegetation to be kept clear from in- & outlets



Tree Staking

Design by:

Trees Online
 QUALITY LANDSCAPING

4 Mauritius Crescent, Stellenberg, 7550
 0842929706 dirk@treesonline.co.za

Landscape Plan
 Erf - 23 Boland Way, Durbanville
 Scale 1:400
 11 September 2017 Drawing # BW 001 Revision# 03